

NBC-R4QC/5,0-94B/R4QC - Network cable



1408964

<https://www.phoenixcontact.com/us/products/1408964>

Please be informed that the data shown in this PDF document is generated from our online catalog. Please find the complete data in the user documentation. Our general terms of use for downloads are valid.



Assembled Ethernet cable, shielded, 4-pair, AWG 26 stranded (7-wire), RAL 5021 (sea blue), RJ45 connector/IP67 push/pull plastic housing to RJ45 connector/IP67 push/pull plastic housing, line, length 5 m

Your advantages

- Compact angle
- Perfect for industrial applications
- PVC cable for flexible installations
- Worldwide approval with CE, UL, WEEE, and EAC
- Secure connection and disconnection with reliable locking clip protection
- Ideal EMC properties, thanks to 360° shielding
- Simultaneous power transmission with PoE++
- Resistant to shock and vibrations, thanks to robust molding
- High-speed data transmission with up to 1 Gbps (CAT5)

Commercial data

Item number	1408964
Packing unit	1 pc
Minimum order quantity	1 pc
Note	Made to order (non-returnable)
Sales key	AB11
Product key	ABNABE
Catalog page	Page 401 (C-2-2019)
GTIN	4046356856928
Weight per piece (including packing)	292.8 g
Weight per piece (excluding packing)	238.95 g
Customs tariff number	85444210
Country of origin	PL

1408964

<https://www.phoenixcontact.com/us/products/1408964>

Technical data

Product properties

Product type	Data cable preassembled
Sensor type	Ethernet
Number of positions	8
No. of cable outlets	1
Number of slots	1
Shielded	yes
Cable outlet	straight

Insulation characteristics

Degree of pollution	2
---------------------	---

Signaling

Status display	No
Status display present	No

Electrical properties

Rated voltage (III/3)	72 V (DC)
Nominal voltage U_N	48 V
Nominal current I_N	1 A
Transmission medium	Copper
Transmission characteristics (category)	CAT5 (IEC 11801:2002)
Transmission speed	1 Gbps
Wave impedance	100 Ω

Mechanical properties

Mechanical data

Insertion/withdrawal cycles	≥ 200
-----------------------------	------------

Material specifications

Flammability rating according to UL 94	V2
Outer sheath, material	PUR
Conductor material	Bare Cu litz wires

Connector

Connection 1

Type	Plug straight RJ45
Locking type	Push Pull
Handle color	black
Material	CuSn (Contact) Ni/Au (Contact surface)

NBC-R4QC/5,0-94B/R4QC - Network cable



1408964

<https://www.phoenixcontact.com/us/products/1408964>

	PC (Contact carriers)
	PA GF (Housing)
Insertion/withdrawal cycles	≥ 750
Degree of protection	IP67
Ambient temperature (operation)	-40 °C ... 70 °C


Connection 2

Type	Plug straight RJ45
Locking type	Push Pull
Handle color	black
Material	CuSn (Contact)
	Ni/Au (Contact surface)
	PC (Contact carriers)
	PA GF (Housing)
Insertion/withdrawal cycles	≥ 750
Degree of protection	IP67
Ambient temperature (operation)	-40 °C ... 70 °C

Cable/line

Cable length	5.00 m
--------------	--------

Ethernet flexible CAT5, 4-pair [94B]

Dimensional drawing	
Shielded	yes
UL AWM Style	20963 (80°C/30 V)
Cable weight	47 kg/km
Cable type	Ethernet flexible CAT5, 4-pair
Short symbol	02YS(ST)C11Y
Cable type (abbreviation)	94B
Signal type/category	Ethernet CAT5 (IEC 11801), 1 Gbps
Cable structure	4x2xAWG26/7, SF/UTP
External cable diameter	6.4 mm ±0.2 mm
Outer sheath, material	PUR
External sheath, color	water blue RAL 5021
Thickness, outer sheath	1.05 mm
Conductor material	Bare Cu litz wires
Conductor structure signal line	7x 0.16 mm
AWG signal line	26

NBC-R4QC/5,0-94B/R4QC - Network cable



1408964

<https://www.phoenixcontact.com/us/products/1408964>

Conductor cross section	4x 2x 0.14 mm ²
Material wire insulation	Foamed PE
Wire diameter incl. insulation	0.96 mm
Single wire, color	white/blue-blue, white/orange-orange, white/green-green, white/brown-brown
Twisted pairs	2 cores to the pair
Overall twist	4 pairs for core
Shielding	Aluminum-coated foil, tinned copper braided shield
Optical shield covering	70 %
Nominal voltage, cable	≤ 100 V
Test voltage Core/Core	700 V (50 Hz, 1 min.)
Test voltage Core/Shield	700 V (50 Hz, 1 min.)
Cable insulation resistance	≥ 5 GΩ*km
Coupling resistance	≤ 100.00 mΩ/m (at 10 MHz)
Wave impedance	100 Ω ±5 Ω (at 100 MHz)
Loop resistance	≤ 290.00 Ω/km
Cable capacity	48 nF/km (at 1 kHz)
Signal runtime	5.3 ns/m
Tensile strength	≤ 100 N
Minimum bending radius, fixed installation	4 x D
Minimum bending radius, flexible installation	8 x D
Damping	3.2 dB (with 1 MHz)
	6 dB (at 4 MHz)
	9.5 dB (at 10 MHz)
	12.1 dB (at 16 MHz)
	13.6 dB (at 20 MHz)
	17.1 dB (at 31.25 MHz)
	24.8 dB (at 62.5 MHz)
	32 dB (at 100 MHz)
Near end crosstalk attenuation (NEXT)	71.3 dB (with 1 MHz)
	62.3 dB (at 4 MHz)
	56.3 dB (at 10 MHz)
	53.2 dB (at 16 MHz)
	51.8 dB (at 20 MHz)
	48.9 dB (at 31.25 MHz)
	44.4 dB (at 62.5 MHz)
	41.3 dB (at 100 MHz)
Power-summed near end crosstalk attenuation (PSNEXT)	62.3 dB (with 1 MHz)
	53.3 dB (at 4 MHz)
	47.3 dB (at 10 MHz)
	44.2 dB (at 16 MHz)
	42.8 dB (at 20 MHz)
	39.9 dB (at 31.25 MHz)
	35.4 dB (at 62.5 MHz)

NBC-R4QC/5,0-94B/R4QC - Network cable



1408964

<https://www.phoenixcontact.com/us/products/1408964>

Return attenuation (RL)	32.3 dB (at 100 MHz)
	23 dB (at 4 MHz)
	24.1 dB (at 8 MHz)
	25 dB (at 10 MHz)
	25 dB (at 16 MHz)
	25 dB (at 20 MHz)
	23.6 dB (at 31.25 MHz)
	21.5 dB (at 62.5 MHz)
	20.1 dB (at 100 MHz)
Halogen-free	according to IEC 60754-1
Resistance to oil	in accordance with EN 60811-2-1
Flame resistance	according to IEC 60332-1-2
Ambient temperature (operation)	-20 °C ... 80 °C (Cable, flexible installation)
	-40 °C ... 80 °C (cable, fixed installation)

Environmental and real-life conditions

Ambient conditions

Degree of protection	IP67 (RJ45 connector)
	IP65/IP67
Ambient temperature (operation)	-40 °C ... 70 °C (RJ45 connector)

Standards and regulations

Standards/specifications	IEC PAS 61076-3-117
--------------------------	---------------------

NBC-R4QC/5,0-94B/R4QC - Network cable

1408964

<https://www.phoenixcontact.com/us/products/1408964>



Drawings

Schematic diagram



Connector pin assignment plug RJ45

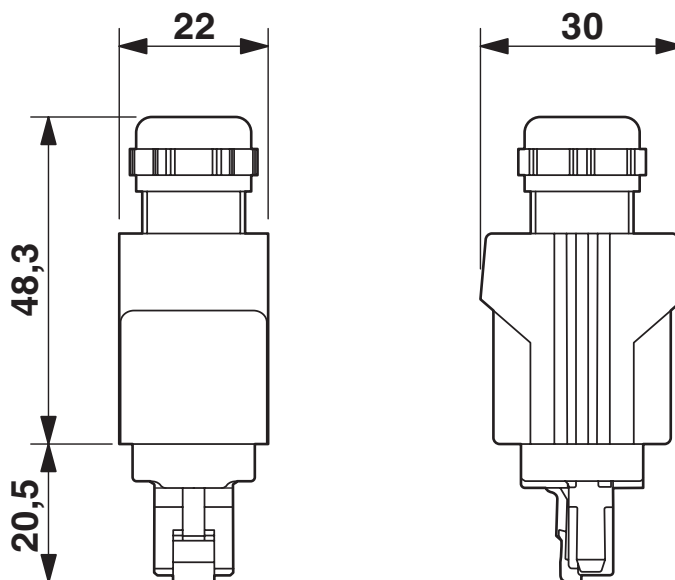
NBC-R4QC/5,0-94B/R4QC - Network cable



1408964

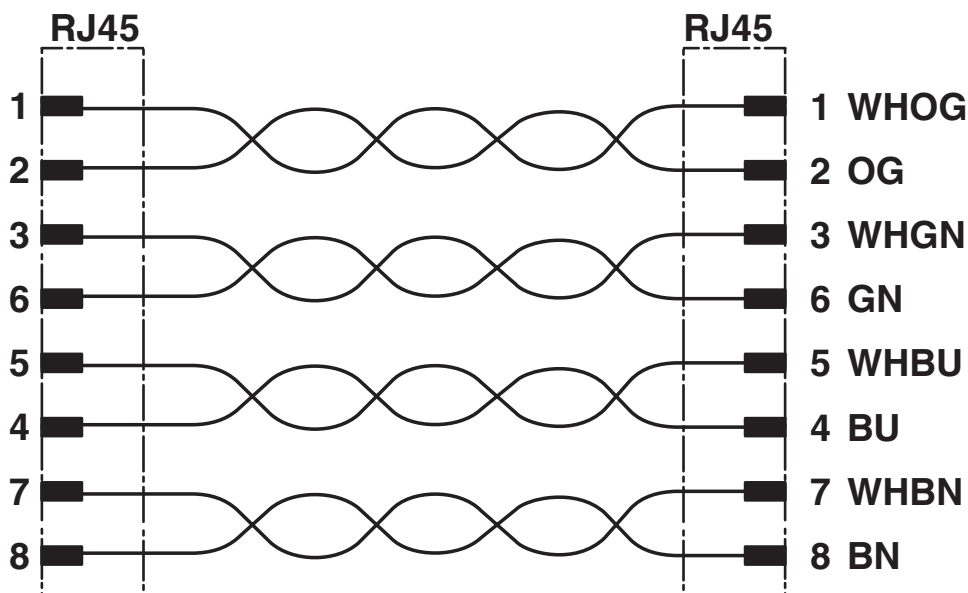
<https://www.phoenixcontact.com/us/products/1408964>

Dimensional drawing



RJ45 Push-Pull connector, IP67

Circuit diagram



NBC-R4QC/5,0-94B/R4QC - Network cable



1408964

<https://www.phoenixcontact.com/us/products/1408964>

Approvals

To download certificates, visit the product detail page: <https://www.phoenixcontact.com/us/products/1408964>



EAC

Approval ID: 19060508

NBC-R4QC/5,0-94B/R4QC - Network cable



1408964

<https://www.phoenixcontact.com/us/products/1408964>

Classifications

ECLASS

ECLASS-11.0	27060308
ECLASS-12.0	27060308
ECLASS-13.0	27060307

ETIM

ETIM 9.0	EC002599
----------	----------

UNSPSC

UNSPSC 21.0	26121600
-------------	----------

NBC-R4QC/5,0-94B/R4QC - Network cable



1408964

<https://www.phoenixcontact.com/us/products/1408964>

Environmental product compliance

China RoHS	Environmentally friendly use period: unlimited = EFUP-e
	No hazardous substances above threshold values

Phoenix Contact 2024 © - all rights reserved
<https://www.phoenixcontact.com>

Phoenix Contact USA
586 Fulling Mill Road
Middletown, PA 17057, United States
(+717) 944-1300
info@phoenixcon.com